

APPLICATION:

JOB NAME:

QUANTITY: ITEM NO.

PRODUCT NAME:

CHINESE RANGE CONTROL VALVE

SPECIAL CONFIGURATION
 CHECK BASE MODEL AND OPTIONS

MODEL:

4750-0000

OPTIONS OR MODIFICATIONS:

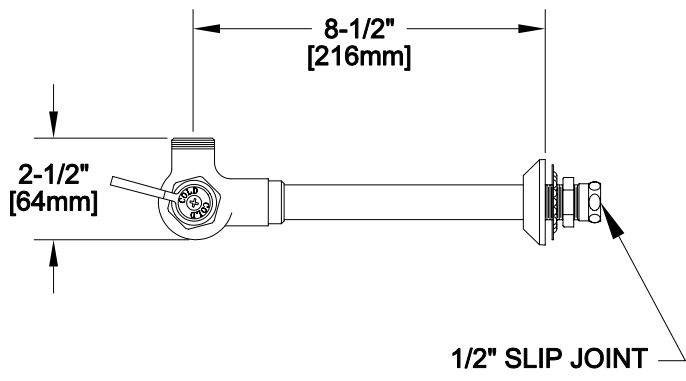
SUPPLY LINES (24" OR 36") CIRCLE LENGTH

ELBOWS

HANDLES (CROSS OR WRIST) CIRCLE STYLE

VANDAL RESISTANT KIT

OTHER _____



FEATURES

CONTROL VALVE

- * SINGLE WALL BACKSPASH MOUNT
- * SWIVELLING SEAT DISK
- * STEM - RIGHT HAND
- * STAINLESS STEEL SEAT
- * STAINLESS STEEL SEAT SCREW
- * STAINLESS STEEL HANDLE SCREW
- * HOT AND COLD INDEX BUTTONS

SYSTEM LIMITS

- * TEMP: 40°F MIN. TO 140°F MAX.
- * PRESSURE: 200 PSI MAX. STATIC
- * 2.2 GPM AT 60 PSI

SHIPPING WEIGHT

- * 2.5 LBS

ROUGH-IN:

